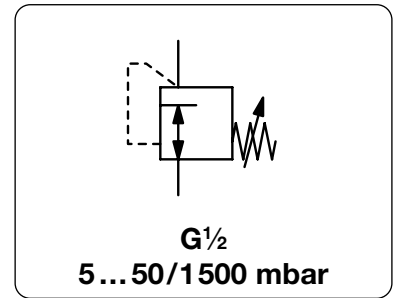


PRECISION LOW PRESSURE REGULATOR FOR PURE GASES UP TO 5.0 PURITY

RR

Description	Precision regulator in mbar range without auxiliary power. Accurate and reliable regulation with large diaphragm for high sensitivity compressed air or non-corrosive gases up to 5.0 purity (99.999% vol.)
Media	compressed air or non-corrosive gases up to 5.0 purity (99.999% vol.)
Supply pressure	max. 20 bar
Air consumption	without constant bleed
Adjustment	by handwheel with locknut
Relieving function	non-relieving
Gauge port	G $\frac{1}{2}$ on the bottom side of the body, screw plug supplied
Mounting position	any
Temperature range	-20 °C to 70 °C / -4 °F to 158 °F, for CO $_2$ up to 40 °C / 104 °F
Material	Body: grey-coated brass Diaphragm: EPDM with PTFE coating O-rings: NBR/Buna-N Inner valve: brass



Dimensions			Flow rate		Connection thread	Pressure range	Order number
A	B	C	m 3 /h*1	l/min*1	G	mbar/bar	

Low pressure regulator				supply pressure max. 20 bar, non-relieving, without constant bleed		RR
164	156	41	5	75	G $\frac{1}{2}$	RR-04A
			12	200		RR-04B
			30	500		RR-04C
			45	750		RR-04D
			51	850		RR-04E



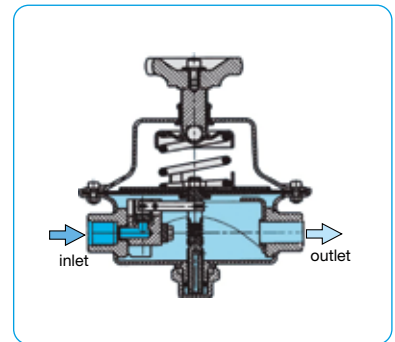
RR

Special options, add the appropriate letter

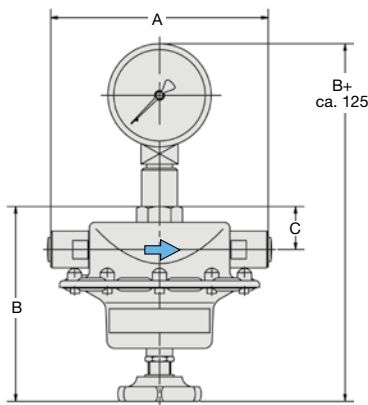
free of grease and oil	suitable for oxygen and flammable gases	RR-...L
pressure gauge	Ø 100 mm, 0... bar, handwheel at the bottom	RR-...G

Accessories, enclosed

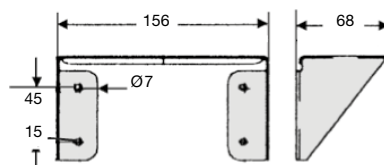
mounting bracket	made of steel	for RR-04	BW00-64
------------------	---------------	-----------	---------



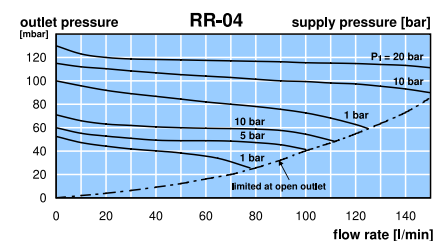
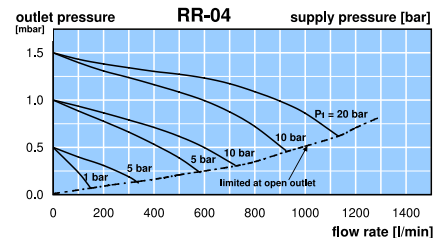
cross-section



RR-04 with gauge



BW00-64



*1 at 6 bar supply pressure and open outlet